

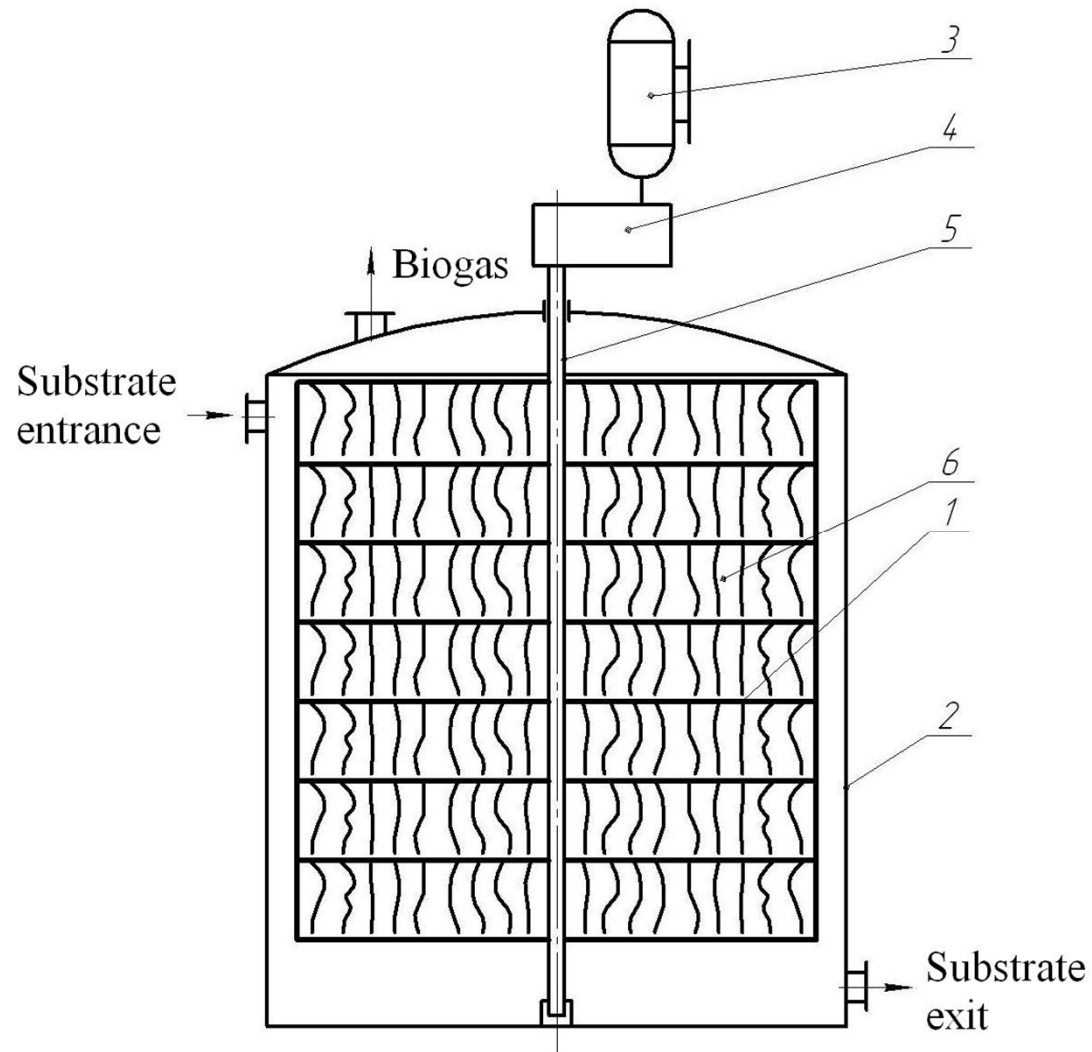
INSTITUTE of RENEWABLE
ENERGY of NAS of UKRAINE

**OPTIMIZATION OF BIO
REACTORS CONSTRUCTION**



Doctor Vladimir Klus, Engineer Dmitriy Dovzhenko

BIO REACTOR



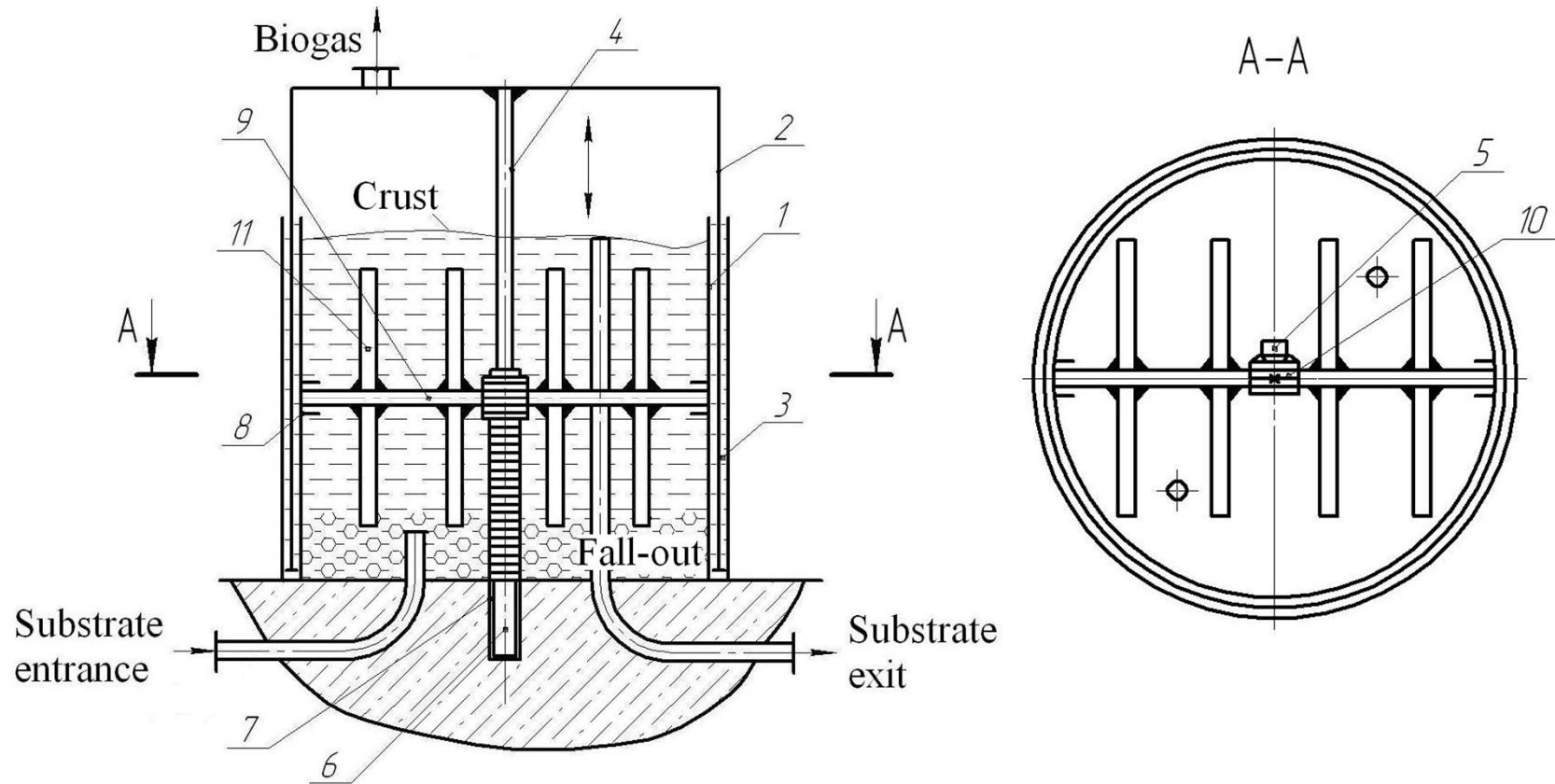
1 – frame; 2 – body; 3 – electric motor; 4 – reducer; 5 – shaft; 6 – flexible ribbons



INSTITUTE of RENEWABLE ENERGY of NAS of UKRAINE

20-a Chervonogvardiyska St., 02094, Kyiv, Ukraine, Phone:(044) 537 2657, e-mail: biomassa@ukr.net

METANTANK - GASOMETER



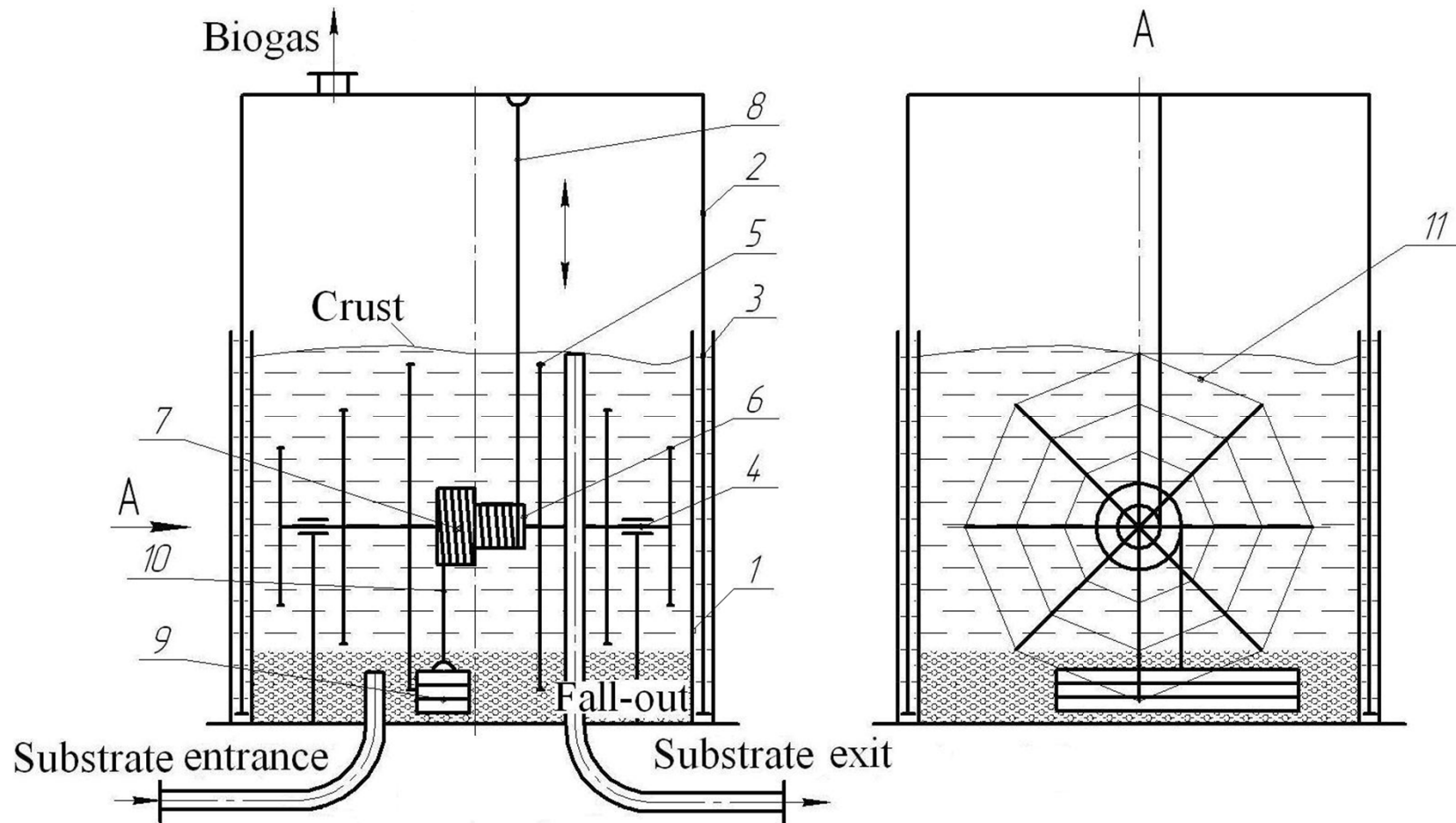
- 1 – body; 2 – gas case; 3 – circular camera; 4 – draft; 5 – rack; 6 – rail runner; 7 – slot;
8 – legs; 9 – shaft; 10 – wheel; 11- blades



INSTITUTE of RENEWABLE ENERGY of NAS of UKRAINE

20-a Chervonogvardiyska St., 02094, Kyiv, Ukraine, Phone:(044) 537 2657, e-mail: biomassa@ukr.net

BIO REACTOR



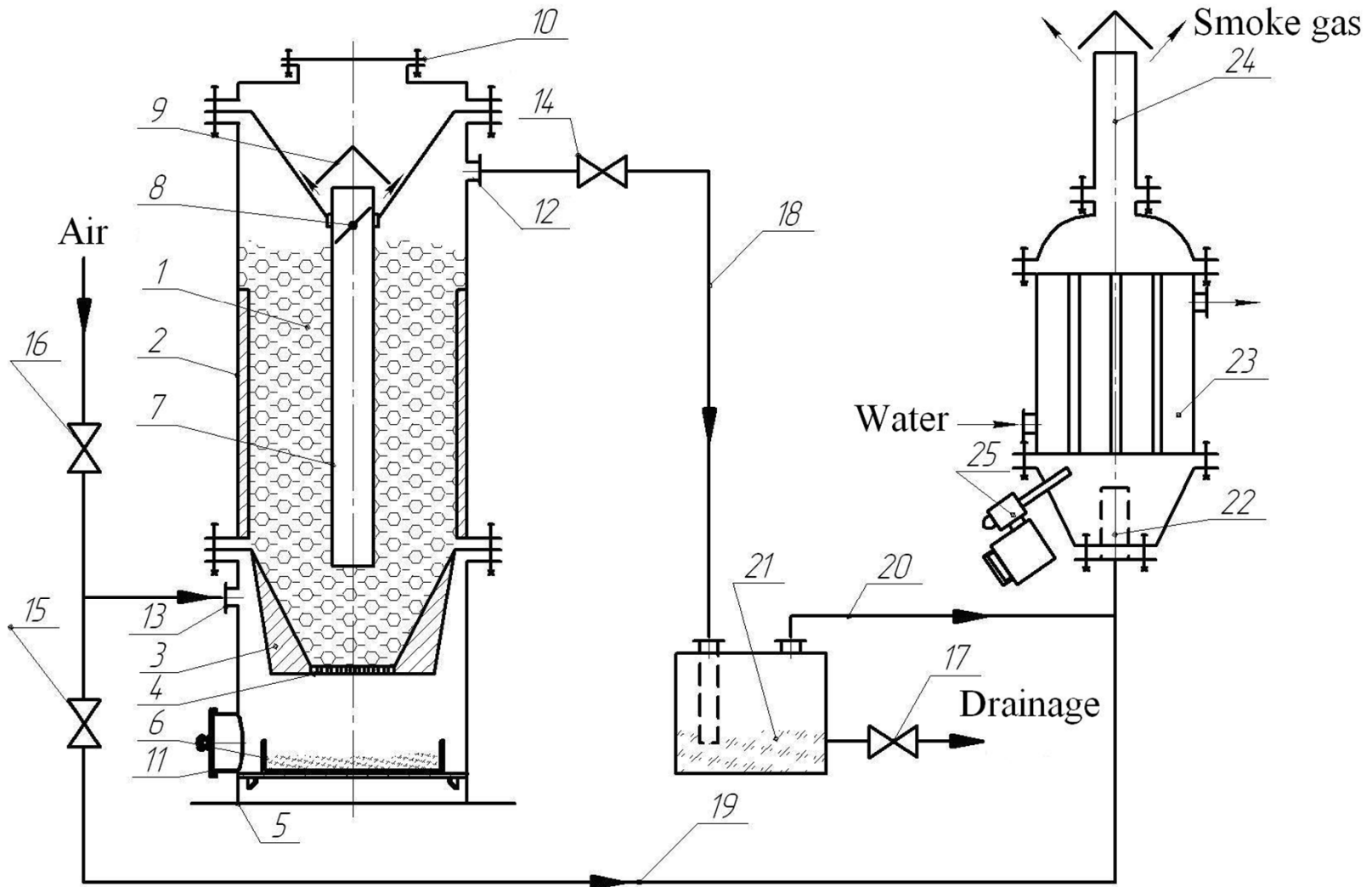
- 1 – body; 2 – gas case; 3 – circular camera; 4 – shaft; 5 – blades; 6 – small diameter winch;
7 – big diameter winch; 8 – cable; 9 – counterbalance; 10 – cable; 11 – polyamide ribbons



INSTITUTE of RENEWABLE ENERGY of NAS of UKRAINE

20-a Chervonogvardiyska St., 02094, Kyiv, Ukraine, Phone:(044) 537 2657, e-mail: biomassa@ukr.net

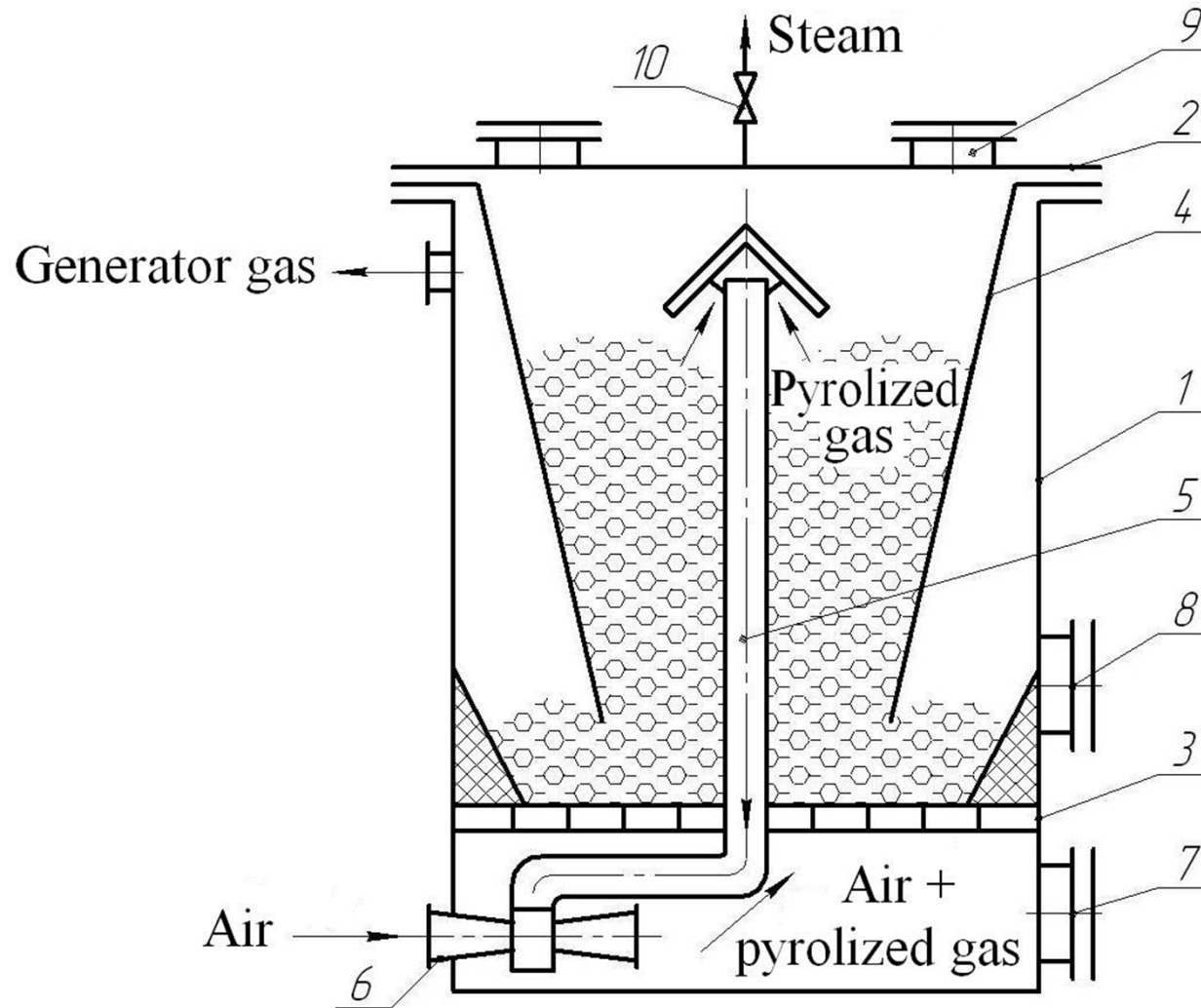
AUTONOMOUS GAS PRODUCER PLANT



INSTITUTE of RENEWABLE ENERGY of NAS of UKRAINE

20-a Chervonogvardiyska St., 02094, Kyiv, Ukraine, Phone:(044) 537 2657, e-mail: biomassa@ukr.net

GAS PRODUCER for HUMID FUEL



1 – body; 2 – cover; 3 – fire-grate; 4 – pyrolyze chamber; 5 – tube; 6 – injector;
7,8,9 –hatch; 10 – gate;



INSTITUTE of RENEWABLE ENERGY of NAS of UKRAINE

20-a Chervonogvardiyska St., 02094, Kyiv, Ukraine, Phone:(044) 537 2657, e-mail: biomassa@ukr.net

Summary

In the department of bio energy IRE NAS of Ukraine the constructions of biogas reactors and gas-producing plants working on wood wastes have been designed and patented. We are looking for partners for joint research on the issues raised.



INSTITUTE of RENEWABLE ENERGY of NAS of UKRAINE

20-a Chervonogvardiyska St., 02094, Kyiv, Ukraine, Phone:(044) 537 2657, e-mail: biomassa@ukr.net